

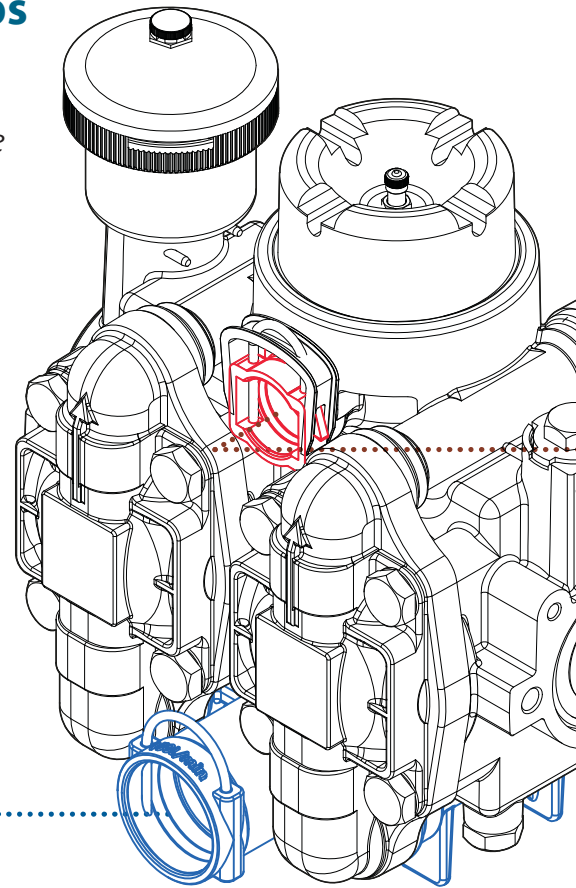
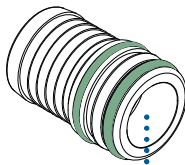
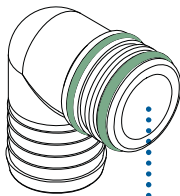
# Fittings for the piston diaphragm pumps Fittings für die Kolbranpumpen

## Fittings for Inlets Fittings für Sauganschlüsse

P70	P100	P120	P150	P200
AS40	AS40	AS50	AS50	AS50

Article no. Artikel-Nr.	Male hose tail Stecktülle		
AS40	08874	ø 33 mm	┘
	08275	ø 39 mm	┘
AS50	24891	ø 39 mm	┘
	17330	ø 46 mm	┘

Article no. Artikel-Nr.	Male hose tail Stecktülle		
AS40	04581	ø 33 mm	┘
	06247	ø 39 mm	┘
	17409	ø 46 mm	┘
AS50	22040	ø 39 mm	┘
	17157	ø 46 mm	┘



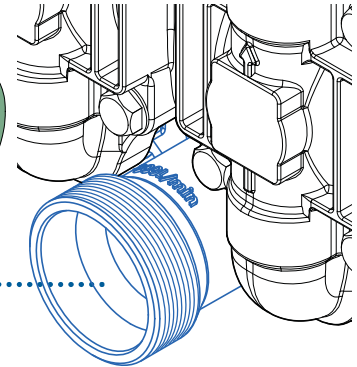
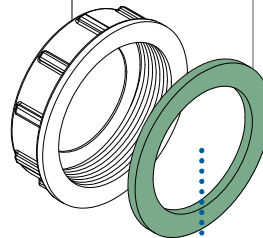
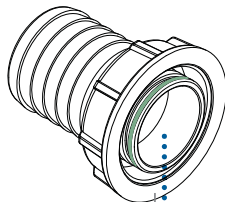
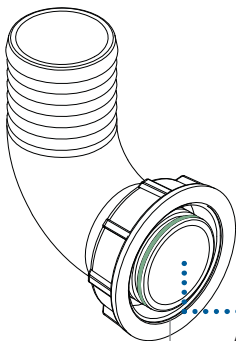
P260	P300	P380	P500
G2	G2½	G2½	G3

Article no. Artikel-Nr.	Male hose tail Stecktülle		
81496	G2	ø 50 mm	┘
81541	G2½	ø 60 mm	┘
82247	G3	ø 60 mm	┘

Article no. Artikel-Nr.	Male hose tail Stecktülle		
81167	G2	ø 50 mm	┘
81540	G2½	ø 60 mm	┘
82245	G3	ø 60 mm	┘
84067	G3	ø 75 mm	┘

Article no. Artikel-Nr.	Blind cap Blindkappe
82856	G2
81717	G2½
83835	G3

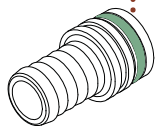
Article no. Artikel-Nr.	Flat seal Flachdichtung
83727	G2
82813	G2½
82857	G3



Article no. Artikel-Nr.	Cap Überwurfmutter
81498	G2
81716	G2½
82248	G3

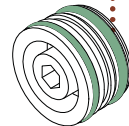
## Fittings for Outlets *Fittings für Druckanschlüsse*

P70	P100	P120	P150	P200	P260	P300	P380	P500
AS30	AS30	AS30	AS30	AS30	AS30	AS40	AS40	AS40



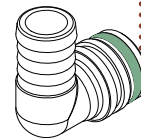
**Article no.** Male hose tail  
*Artikel-Nr.* Stecktülle

AS30	<b>81119</b>	ø 25 mm	/
	<b>01399</b>	ø 33 mm	/
AS40	<b>04581</b>	ø 33 mm	/
	<b>06247</b>	ø 39 mm	/
	<b>17409</b>	ø 46 mm	/



**Article no.** Dummy plug  
*Artikel-Nr.* Blindstopfen

<b>80333</b>	AS40
--------------	------



**Article no.** Male hose tail  
*Artikel-Nr.* Stecktülle

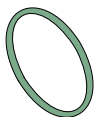
AS30	<b>08337</b>	ø 25 mm	┘
	<b>33793</b>	ø 33 mm	┘
AS40	<b>08874</b>	ø 33 mm	┘
	<b>08275</b>	ø 39 mm	┘

**Special Design upon Request**

*Sonderausführung auf Anfrage*

## Spare parts *Ersatzteile*

### O-Rings *O-Ringe*



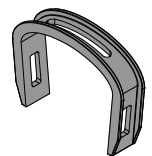
Article no. <i>Artikel-Nr.</i>	Dimensions <i>Maße</i>	Material <i>Material</i>	Suitable for <i>Passend für</i>
<b>02633</b>	25,0 x 4,0 mm	FPM-75	AS30
<b>05243</b>	35,0 x 4,0 mm	FPM-75	AS40
<b>37628</b>	38,0 x 3,0 mm	FPM-75	
<b>41214</b>	42,0 x 3,0 mm	FPM-75	AS50
<b>18544</b>	40,0 x 4,0 mm	FPM-75	

### Safety Pins *Sicherungsstecker*



Article no. <i>Artikel-Nr.</i>	Length <i>Länge</i>	Suitable for <i>Passend für</i>
<b>02632</b>	standard	AS30
<b>05241</b>	standard	AS40
<b>17997</b>	standard	AS50

### Retainer *Halteclip*



Article no. <i>Artikel-Nr.</i>	Suitable for <i>Passend für</i>
<b>84158</b>	P150 P200 P260
<b>84156</b>	P300 P380 P500